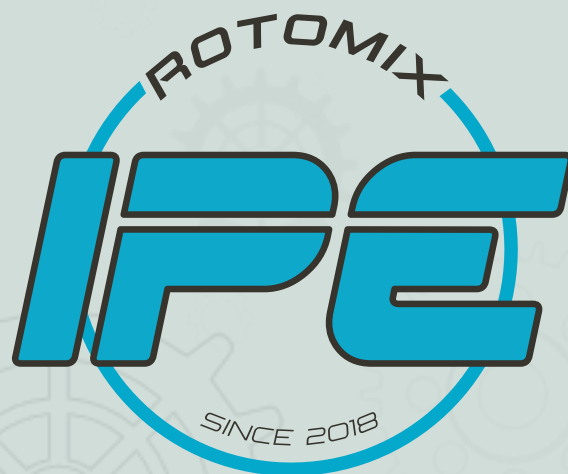


ROTOMOULDING MACHINES



WHO WE ARE

IPE ROTOMIX is an Italian company founded in 2018 and specialised in design, production and, last but not least, servicing rotational moulding and mixing plants.

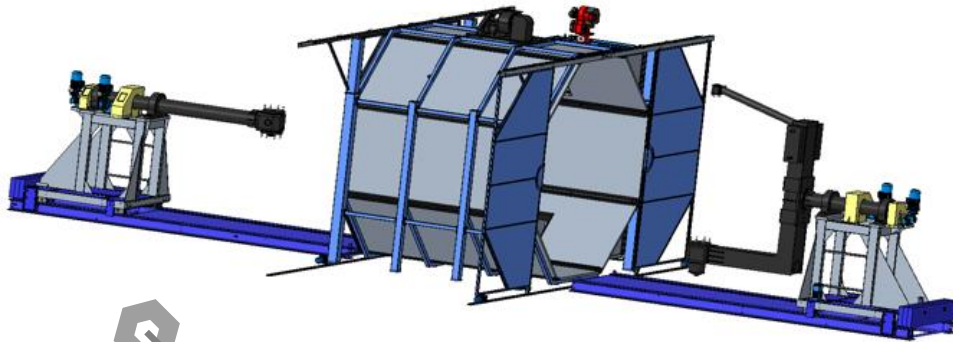
IPE, with a staff of motivated engineers and technicians, is part of a group of companies operating from over fifty years into the plastic machinery area.

With 4 plants linked into the same network, IPE is keeping production and assembling of rotational moulding and mixing plants, of which almost 100% in-house, fully controlled.

The group is our engine, passion is our fuel to service our customers worldwide.

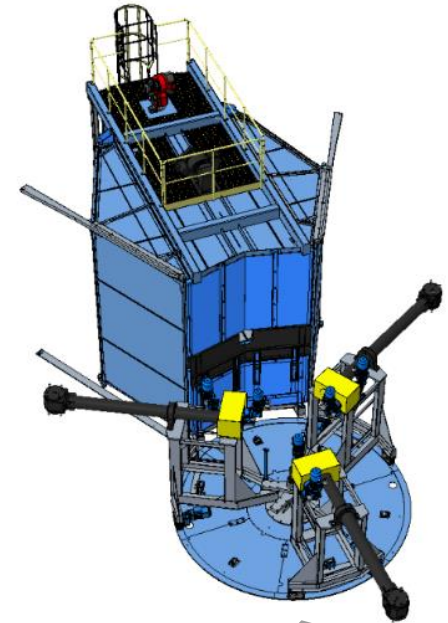
WHAT WE OFFER

- **NO-FRILLS PRICE:** From the manufacturer to the user.
- **RELIABLE AND QUALITY MACHINERY:** 3 year-guarantee
- **STATE-OF-THE-ART MACHINERY:** + 10% of turnover invested every year in R&D.
- **RELIABLE COMPANY GROUP:** + 25% YoY growth in the last 6 Years.
- **FLEXIBLE AND COMPETENT TEAM:** Lean organization to provide tailor-made solutions, direct link and quick response times.
- **CUSTOMIZED MACHINE:** Tell us how much you want to spend, we offer you a machinery tailored to your budget.
- **SUSTAINABLE BUSINESS:** We want to run the economy. We want to receive salary, pay our partners, remunerate shareholders and ensure continuity for customers. Exactly like you.
- **RESPONSIBLE PEOPLE:** If we are wrong, we do not look for excuses, but we apologize and promptly remedy, no ifs, ands, or buts.
- **PASSION:** "Pleasure in the job puts perfection in the work" #Aristotele. That's our company philosophy.



SHUTTLE MACHINES

- **RTS 2500**
- **RTS 3000**
- **RTS 3500**
- **RTS 4000**
- **RTS 4500**
- **RTS 5000**



CAROUSEL MACHINES REVOLUTION

- **RTM 1500**
- **RTM 2200**
- **RTM 2500**
- **RTM 3000**
- **RTM 3500**
- **RTM 4000**
- **RTM 4500**
- **RTM 5000**
- **RTM 6000**





OUR CAROUSEL MACHINE REVOLUTION
RTM 3500



OUR CAROUSEL MACHINE REVOLUTION
RTM 3500



PLEASURE IN THE JOB PUTS PERFECTION IN THE WORK #ARISTOTELE

#DP4THEGROUP





OUR SHUTTLE MACHINE

RTS 4500



OUR SHUTTLE MACHINE
RTS 4500

KEY FEATURES

ISOIPE: REVOLUTIONARY thermal insulation.

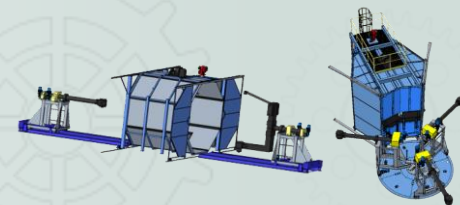
Low gas consumption: -25% vs main competitors.

High Loading Capacity ARMS + 10% vs main competitors.

FAP4ARMS: Air flow remote control system.

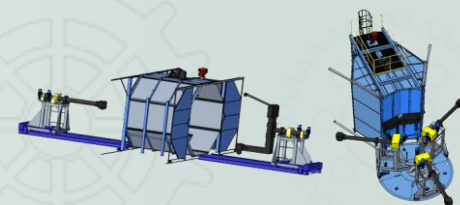
AMS SYSTEM: Automatic preventive maintenance system.

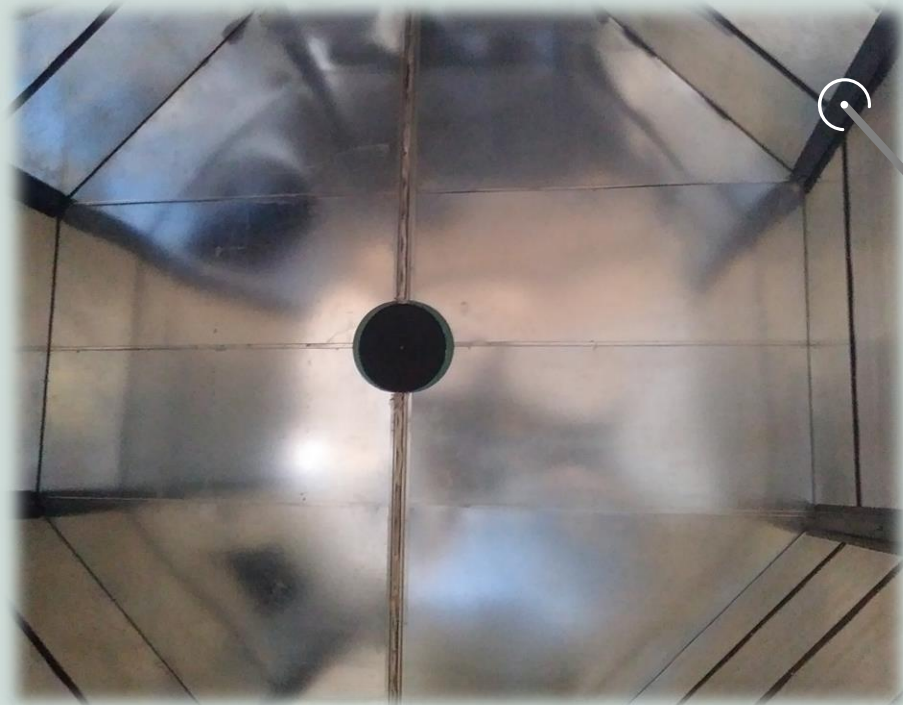
ARIES machine control software: smart & user-friendly interface.



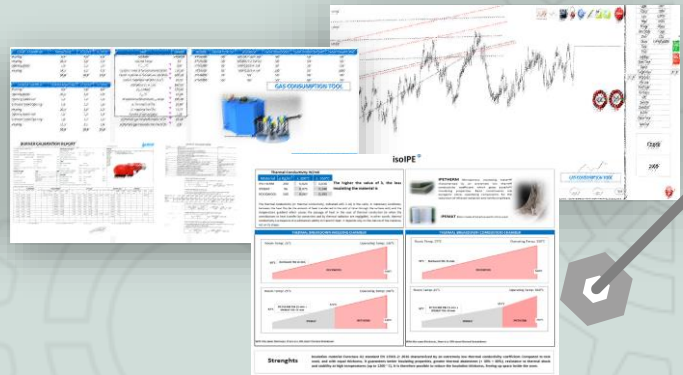
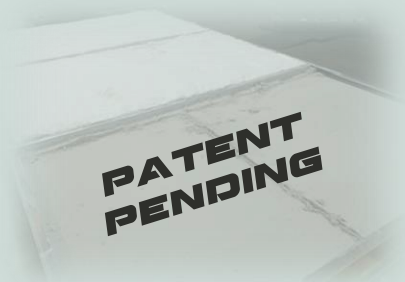
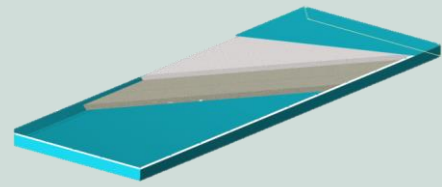
HIGHLIGHTS

- # Carriages: up to 4 for RTM, up to 2 for RTS
- # Working positions: up to 6 for RTM, up to 2 for RTS
- Arm models: Straight, L-shape, C-shape
- Oven with high-efficiency digital burner
- Air/water forced cooling
- Cooling chamber
- Safety fence & Photoelectric sensors
- Burner platform access
- Mobile or Fixed Work Platform
- Mixers for powders
- Dosing & Feeding systems

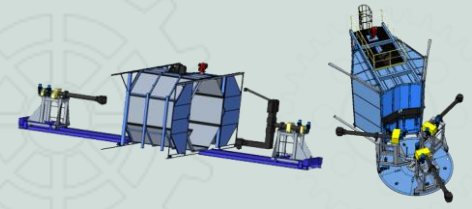


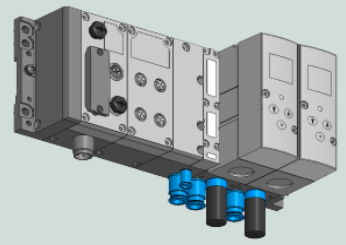
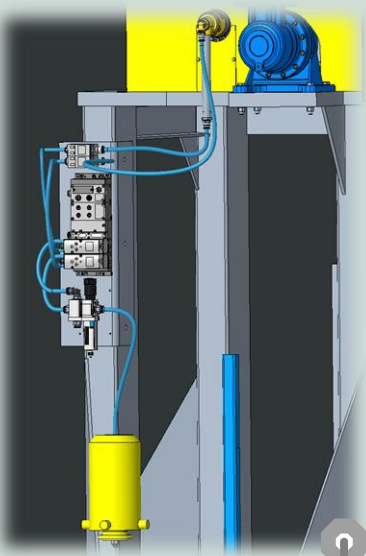


ISOIPE



GAS CONSUMPTION CONTROL TOOL





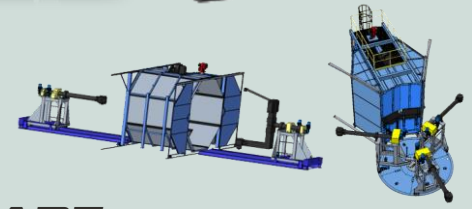
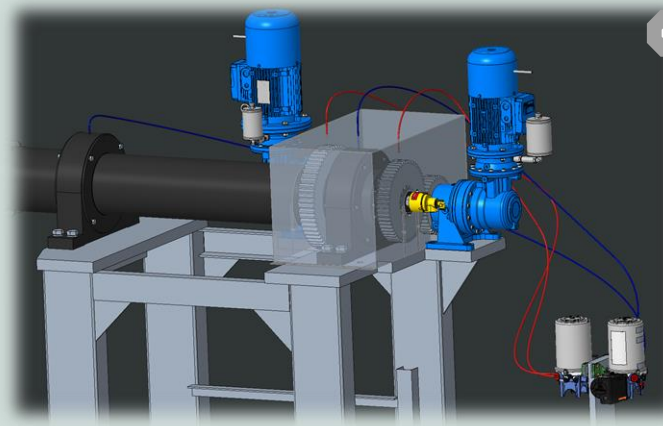
CPX Ethercat node



FLOW MEASUREMENT SENSORS

AMS SYSTEM

FAP4ARMS



INTEGRATED WITH ARIES MACHINE CONTROL SOFTWARE


PLEASURE IN THE JOB PUTS PERFECTION IN THE WORK #ARISTOTELE

IPECONTROL HARDWARE

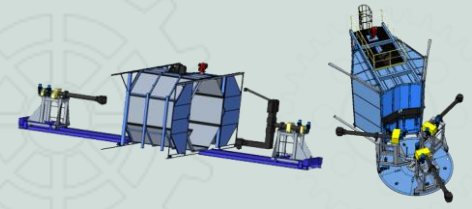


IPE INNOVATION
POLYMER
ENGINEERING

Automation controller **OMRON SIEMENS**

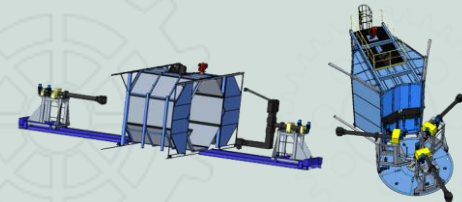
Digital Transmission **EtherCAT**  **PROFI**
NET

Industrial PC **ASEM**





HIGHLY INTUITIVE AND USER-FRIENDLY SOFTWARE



REVAMPING

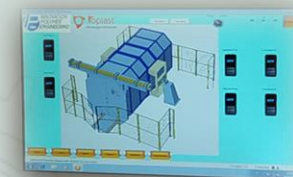


TYPE	ROCK & ROLL MACHINE
MODEL	FST-54/300 RR
TANK CAPACITY	25000 l
PROJECT SCOPE	RISK ASSESSMENT
	ENGINEERING
	SECURING
	REVAMPING
	PROCESS RE-ENGINEERING
	FINANCIAL ADVICE
	TECHNICAL TRAINING

BEFORE



AFTER



DIGITAL TRANSFORMATION

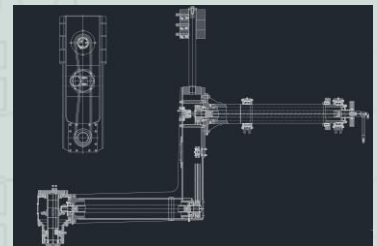
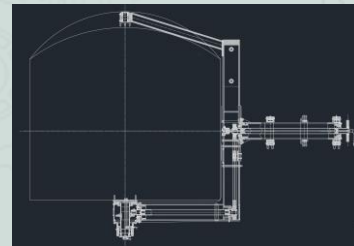
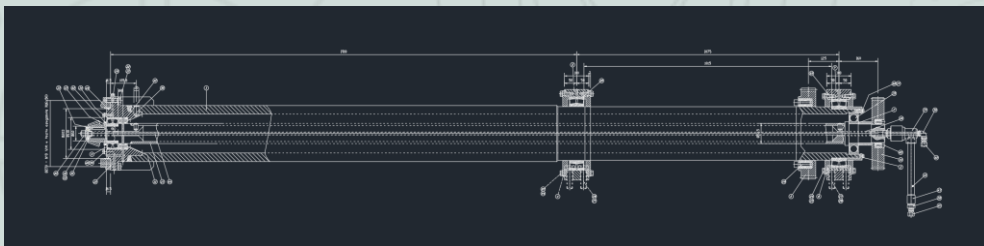


PLEASURE IN THE JOB PUTS PERFECTION IN THE WORK #ARISTOTELE

#DP4THEGROUP



SPARE PARTS





THE GROUP



TEL. +39 0331 251 699 • INFO@IPEITALY.IT • WWW.IPEROTOMIX.COM

INNOVATION POLYMER ENGINEERING IPE srl

Registered Office: Via Giordano Bruno 8, 21013 Gallarate (VA) - ITALY

Operational Headquarters: Via Olona 195 21013 Gallarate (VA) - ITALY

