



Totally Automatic type IRHD / M method Micro – size International Rubber Hardness Tester

- Micro-hardness can be measured by 8/1 scale each durometer of type A, E, E2, OO, FO in addition to IRHD / M method.
- Hardness of O ring and small rubber parts can be measured with totally automatic.
- Voice coil motor is adopted for load system. Friction and reproducibility of inner mechanism is improved, which is different from weight system.
- It is plug-in type that plunger (contact point) can be easily changed and recalibration on test method change is not needed.
- As test piece table is wide, various measuring jigs can be set up.



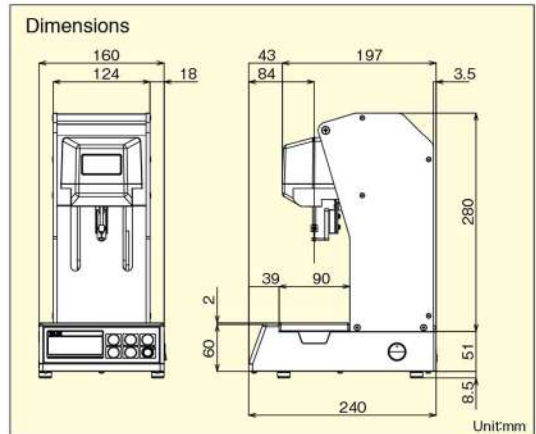
GS-680sel

PC connecting example

Specifications

Hardness testing method	IRHD · M-method	Durometer Hardness
Compliance standards	ISO 48/JIS K 6253	ISO 7619/JIS K 6253 TECLOCK Standards/ASTM D 2240
Measuring accuracy	±0.1 IRHD	Type A/E ±1 JIS K 6253 Type E2/FO ±1 TECLOCK Standards Type OO ±2 ASTM D 2240
Measuring range	30~100 IRHD	0~100
Minimum indication unit	0.1	
Measurement part movable distance	100mm	
Measurable test-piece dimensions	W=160 / D=110 / H=100mm	
Conformity standards	EC Directive (EN61326)	
Outside interface	RS-232C	
Power	AC100~200 V / AdapterDC24V	
Weight	7.8kg (Main unit)/0.6kg (Power unit)	
Accessories	PC application CD (for Windows XP & 7) PC connecting cables/AC adapter Spare plunger (x1) (ZS-121) for IRHD	
Rubber specimen	ZY-917 6 types set (w/Inspection table)	—

Other functions: Measurement time extension, Return-measurement function, Self-diagnosis function, Statistical processing (Relaxation curve, Average value, Median value etc)



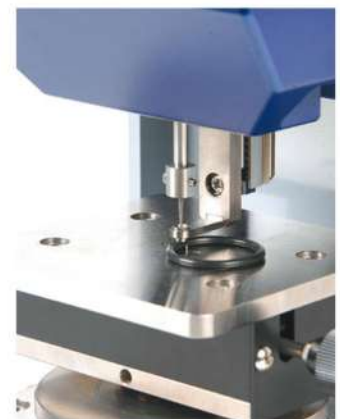
O Ring Measuring Device for GS-680

This is the device for centering of O ring of which wire diameter is 0.5mm-10mm. The pin at stage center which fixes position of O ring slightly moves up/down and left/right independently and fixes the position. In addition, it is possible to rotate it to an arbitrary position.

Specifications

Model	ZY-921
Stage dimensions	90x86mm
Applicable O-ring diameter	φ0.5~φ10mm
Weight	2.9kg

ZY-921



JSR ENTECH CO.,LTD (Yotse Brance)

222/29-32 Bumrungruang Road, Thepsirin, Pomprabsatrupai, Bangkok 10100 THAILAND.

E-Mail: jetco@jet.co.th, akaraphol@jet.co.th

