

### Control Panel

Easymat is equipped with a control panel for simple system programming and parameter monitoring.

The **2 scroll buttons** are used to scroll the different operating parameters that EASYMAT can show.

At the same time you can use the 2 scroll buttons to move in the set up menu and to change the different options.

The **LCD custom display** gives an easy overview of the system situation and of the operating parameters.

The icons on the top and below the display area explain in which way EASYMAT is working and if there are problems on the system.

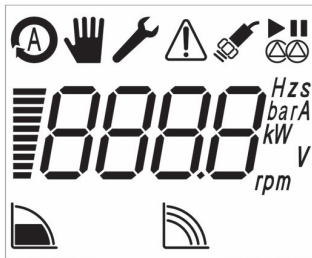
The four set-up buttons allow the operator to move between and set-up the menu's and to start and stop the pump. The symbols help to make the function of each button clear.

With these 4 buttons and the 2 scroll buttons you can manage all the set-up and operating parameters without the use of an other control panel or computer.



4.93.410

### Display LCD





The integrated LCD custom display gives you an easy overview of the system situation and operating parameters.









#### DISPLAY AREA

The display area gives the status of the parameters of the pump.

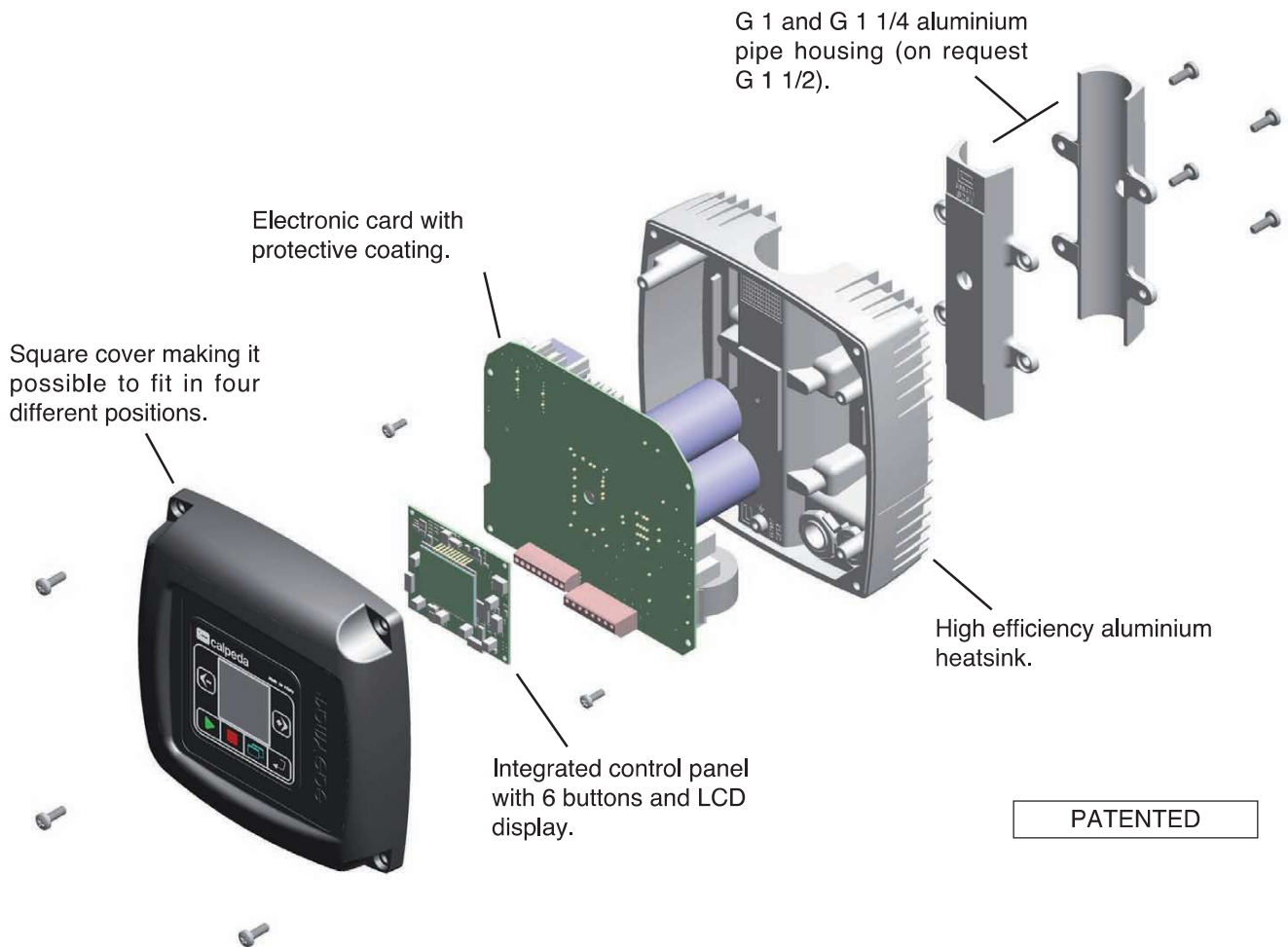
The **OPERATING ICONS** show in which mode the system is operating:

- 
**Constant pressure mode**  
 The system keeps the pressure constant when the quantity of water requested by the user changes. The user can choose the operating pressure according his needs.
- 
**Fixed speed mode**  
 The system works at a fixed speed that user can choose according his needs.

The **SYSTEM ICONS** show in which way the system is operating:

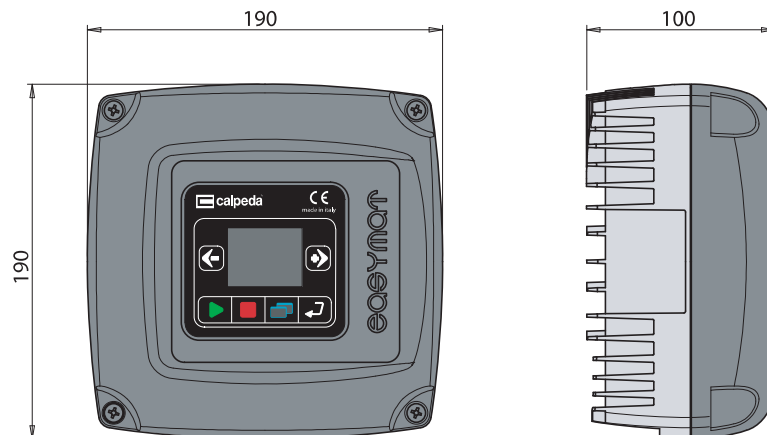
- 
**Auto Mode**  
 The icon shows that the system is operating in auto mode (constant pressure mode), the constant pressure mode it is indicated by the icon on the lower part of the display.
- 
**Manual Mode**  
 The icon show that the system is operating in manual mode (fixed speed mode), with the navigation buttons the user can change the speed, the fixed speed mode is indicated by the icon on the lower part of the display.
- 
**Set-up Mode**  
 The icon shows that the set-up menu is activated, in this mode it is possible to change all the operating parameters of the EASYMAT. With the navigations buttons it is possible to scroll the parameters and, if necessary, change them.
- 
**Sensor State**  
 indicates the state of the pressure transducer connected to the EASYMAT, if lit it indicates that the pressure transducer is working, if it is blinking there is a fault or a incorrect connection of the pressure transducer.
- 
**Alarm**  
 It indicates that there is a fault on the system, the error number appears on the display area.
- 
**Cascade Mode**  
 It indicates that the multi-pump mode (up to 2 pumps) is working, the upper icon shows if the pump connected with the frequency converter is running or is in stand-by, the lower icon indicates if the pump is the master pump (the icon is lit) or the slave pump (the icon is blinking).

### Overview



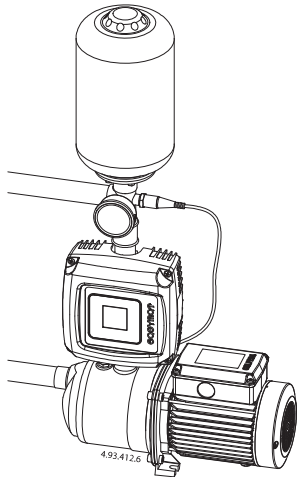
### Dimensions and weights

**Weight** kg 1,9

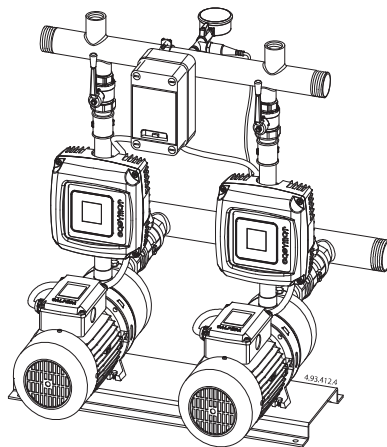


## Installation example

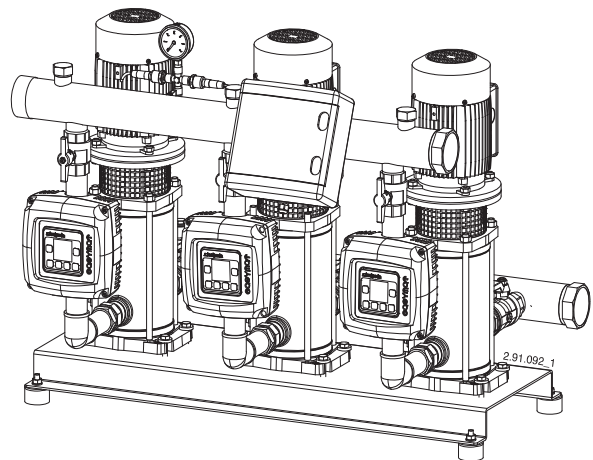
**One pump  
installation scheme**



**Two pumps  
installation scheme**

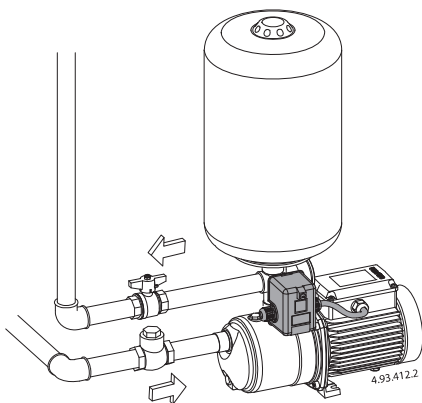


**Three pumps  
installation scheme**



## Plant conversion scheme

### Existing fixed speed version



With EASYMAT it is easy to create a variable speed system starting from an existing fixed speed system without disturbing the existing pipe-work.

To create the variable speed system it is only necessary to:

- Disconnect the pressure switch from the system and, in the same housing connect the pressure transducer.
- Connect EASYMAT to the pipe.
- Connect EASYMAT to electric motor.
- Connect the supply cable to the electric grid.

### Variable speed system version

